

## MULTI-ENTRY TRAPPED KEY-OPERATED SAFETY INTERLOCK SWITCH SS6391 SERIES

### Features

- Robust zinc die cast head assembly and housing
- Multiple solenoids voltages: 12VDC, 24VDC, 48VDC, 120VAC and 240VAC
- Key holding force of 2,500N minimum
- Emergency release in case of danger
- Flexible switching arrangement with up to 6 sets of contact
- Can be installed front and back
- Multi-direction head
- Positive opening of NC contacts
- Safety category: PLe/4 equivalent

### Specifications

Operating Speed	0.05mm-1m/sec
Rated Current/Voltage	10A/600V AC (EN60947-5-1) AC15 A300 / DC13 Q300
Holding Force	2,500N min.
Contact Resistance	200 mΩ max.
Service Life	Mechanically 1,000,000 (operations) Electrically 150,000 (operations)
Operating Temperature	-25~+85°C (-13~185°F)
Protection against electric shock	Class II (double insulation)
Pollution degree	3
Vibration Resistance	10 to 55 Hz, -.35 mm single amplitude
Shock Resistance	80m/s <sup>2</sup> min.
Dielectric Strength	1500VAC for 1 minute between terminals 2500VAC for 1 minute between terminals and non-current carrying parts
Degree of Protection	IP 68
Safety Category	PLe/4 equivalent
Mechanical Reliability B10d	2,500,000 ops
MTTFd	356 years (8 cycles per hour/24hours per day)
Solenoid Coil Characteristic	12VDC: +10%, -15%, 4W 24VDC: +10%, -15%, 4W 48VDC: +10%, -15%, 4W 120VAC: +10%, -15%, 8W 240VAC: +10%, -20%, 9W



### Electrical Ratings

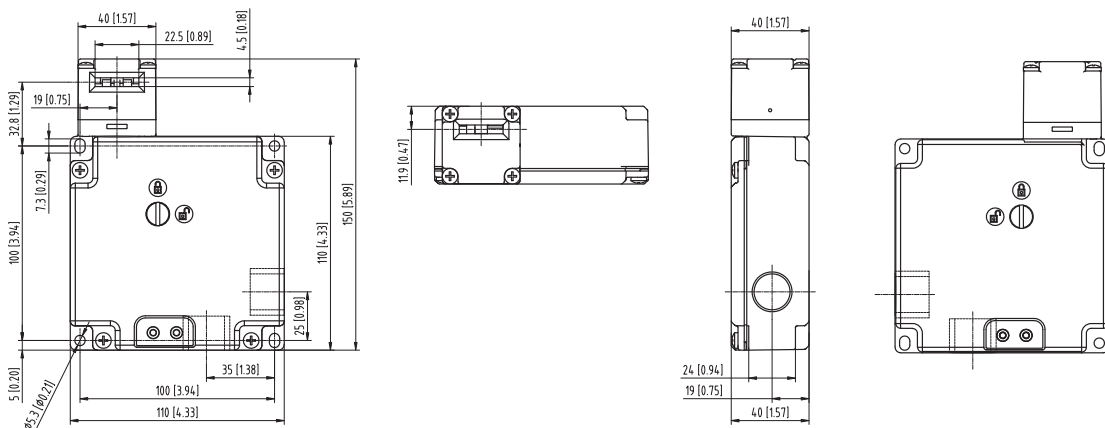
Designation & Utilization Category	IEC 60947-5-1 / EN 90947-5-1					VA rating	
	Rated operational current Ie (A) at rated operational voltage Ue					Make	Break
AC15 A300	120V	240V	380V	480V	600V	7200	720
	6A	3A	1.9A	1.5A	1.2A		
DC13 Q300	125VDC 250VDC					69	69
	0.55	0.27					

### Selection Guide:

SS6391 - SL34 - U - 24 - L1 - A - Z2 - FW1

<b>Contact Configuration</b> (see next page)	<b>Locking Type</b> U: Power to unlock N: Power to lock	<b>Solenoid Voltage and Power</b> 12: 10-14VDC 24: 20-28VDC 48: 42-54VDC 120: 100-120VAC 240: 200-240VAC	<b>LED Indicators</b> None: No LED L1: With 2 LED Indicators (12-277V AC/DC) L2: Independent wiring of L1	<b>Conduits</b> A: 1/2"NPT B: PG13.5 C: M20	<b>Head Orientation</b> Blank: Front Z2: Left Z3: Back Z4: Right	<b>Quick Connector (Optional)</b> FW1
---	---	---	--	--	--	--

### Dimensions:



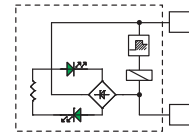
## MULTI-ENTRY TRAPPED KEY-OPERATED SAFETY INTERLOCK SWITCH SS6391 SERIES

### CIRCUIT AND TRAVEL DIAGRAMS

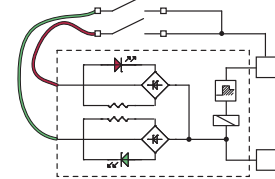
Contact Block Code	Key Inserted & Locked	Key Inserted & Unlocked	Key Removed
SL14 1NC/1NO (2NC/2NO)*			
SL16 1NC/1NO (3NC/1NO)*			
SL34 2NC/2NO (2NC/2NO)*			
SL36 3NC/1NO (3NC/1NO)*			

\* Door monitor contacts

**LED option L1:**  
Two green LEDs are switched ON directly by the solenoid power supply (24 V AC/DC versions only). Wiring is not necessary.



**LED option L2:**  
Two LED connection wires are available, one green and one red. Through suitable connections to the contact block, it is possible to control the different states of the switch (24 V AC/DC versions only).



### Choice of Actuating Keys

<p><b>SN6-K1</b></p>	<p><b>SN6-K2</b></p>	<p><b>SN6-K3</b></p>
<p><b>SN6-K4</b></p>	<p><b>SN6-K5</b></p>	